



TECHNICAL DATA / FEATURES

- dimensions: $\phi 80 \times 102$, $\phi 84 \times 106$
- light functions: daytime running
- function markings: RL
- maximum power: 9W
- nominal voltage: 12V-24V DC
- permissible power supply voltage: 10.5V-30V DC
- source of light: 3 x LED
- IP rating: IP67, IP69K, IP66
- work temperature: $-40^{\circ}\text{C} - +80^{\circ}\text{C}$
- housing's material: aluminium/plastic
- lens' material: glass
- built-in connectors: AMP Faston 250, Deutsch DT
- other: protection:
 - against overheating
 - against reverse polarisation
- bracket made of Inox steel



ADDITIONAL INFORMATION

Practical, energy efficient lamps. Particularly recommended for trucks and cars.

The lamps comply with EMC Directive 2004/108/EC. They do not emit electromagnetic interference as well as they are resistant to it's influence.

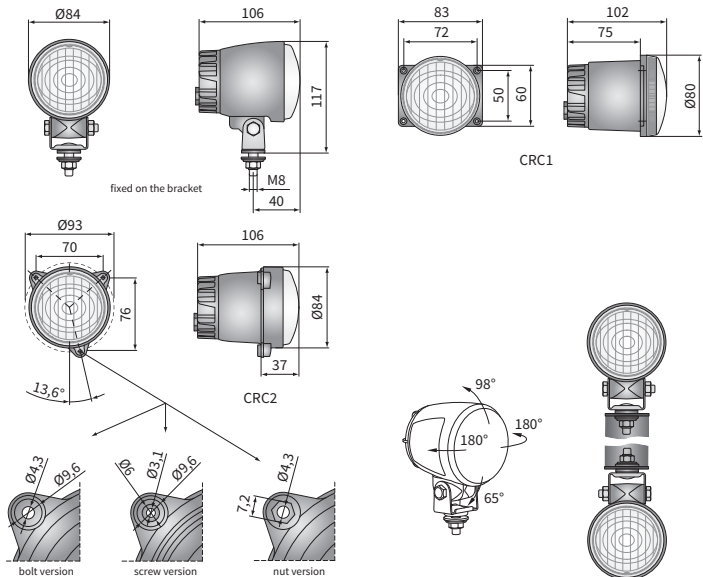
Correct polarity required.

Mounting: factory prepared places, built-in to vehicle's recess, as a freestanding on the body work. Versions with the bracket can be installed on a vehicle in an upright or upside-down position.

Useful parts while installing:

- AMP Faston 250 plug 2-pin - cat. No. A.07138
- AMP SuperSeal 1,5 plug 2-pin - cat. No. A.07137
- deutsch plug DT06-2S 2-pin - cat. No. A.07135

DIMENSIONS



Cat. number	Homologation code	Diameter	IP rating	Accessories	Mounting method	Bracket	Connectors
CRC1.48101	080	$\phi 80$	IP66	LED module 12V-24V/ cable 0.5 m	in recess	4 bolts	AMP Faston 250
CRC1.48121	080	$\phi 84$	IP67	LED module 12V-24V/ cable 0.5 m	installed vertically up	M8	Deutsch DT
CRC1.48131	080		IP67	LED module 12V-24V/ cable 0.5 m	suspended	3 screws	AMP SuperSeal 1,5
CRC1.48111	080		IP69K	LED module 12V-24V/ cable 0.15 m		3 bolts	
CRC2.48201	080		IP66	LED module 12V-24V/ cable 0.15 m		3 nuts	
CRC2.48203	080		IP67	LED module 12V-24V/ cable 0.15 m			
CRC2.48204	080		IP69K	LED module 12V-24V/ cable 0.15 m			
CRC2.48202	080		IP66	LED module 12V-24V/ cable 0.15 m			
CRC2.48211	080		IP67	LED module 12V-24V/ cable 0.15 m			
CRC2.48213	080		IP69K	LED module 12V-24V/ cable 0.15 m			

Cat. number	Homologation code	Diameter	IP rating	Accessories	Mounting method	Bracket	Connectors
CRC2.48214	080	$\phi 80$	IP66	LED module 12V-24V/ cable 0.5 m	in recess	4 bolts	AMP Faston 250
CRC2.48212	080	$\phi 84$	IP67	LED module 12V-24V/ cable 0.5 m	installed vertically up	M8	Deutsch DT
CRC2.48221	080		IP67	LED module 12V-24V/ cable 0.5 m	suspended	3 screws	AMP SuperSeal 1,5
CRC2.48223	080		IP67	LED module 12V-24V/ cable 0.5 m		3 bolts	
CRC2.48224	080		IP69K	LED module 12V-24V/ cable 0.5 m		3 nuts	
CRC2.48222	080		IP66	LED module 12V-24V/ cable 0.5 m			
CRC2.48231	080		IP67	LED module 12V-24V/ cable 0.5 m			
CRC2.48233	080		IP69K	LED module 12V-24V/ cable 0.5 m			
CRC2.48234	080		IP66	LED module 12V-24V/ cable 0.5 m			
CRC2.48232	080		IP67	LED module 12V-24V/ cable 0.5 m			