



**TECHNICAL DATA / FEATURES**

- dimensions:  $\phi 232 \times 163$ ,  $\phi 178 / 169 \times 135$ ,  $\phi 178 / 169 \times 115$
- light functions: passing, driving
- function markings: HC/R
- traffic: right-hand
- reference mark: 17.5
- source of light: H4
- maximum power: 75/70W
- nominal voltage: 12V-24V DC
- optics: standard
- IP rating: IP66, IP67
- housing's material: metal
- lens' material: glass
- built-in connectors: -
- other (optional): levelling system  
    metal housing  
    tunnel frame



**ADDITIONAL INFORMATION**

To be mounted in factory designed locations or in the front bumper recesses.

It is possible to install needed connectors on wire (on request).

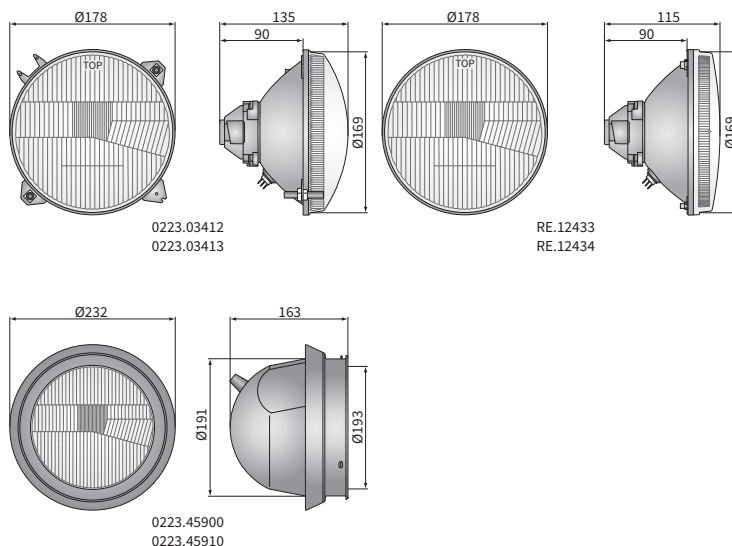
Useful parts while installing:

- mounting block - cat. No. A.06050
- hermetic main bulb holder - cat. No. A.26925
- hermetic main bulb holder equipped with 0,1 m cable - cat. No. A.26920

Dedicated application:

- A - military vehicles:  
    Jelcz: 642, 662, 862,  
    Star: 266 (1973-94), 660 (1965-83)
- off-road cars Nissan Patrol Y60 (1987-97)

**DIMENSIONS**



0223.03412  
0223.03413

RE.12433  
RE.12434

0223.45900  
0223.45910

Cat. number	Homologation code	Approval regulation		IP rating	IP66	IP67	Light functions		passing	driving	Accessories								Side			Application		Packaging / pc	
		UNECE 20	UNECE 112				passing	driving			bulb H4 12V	bulb H4 24V	bulb holder IP66	manual levelling unit	metal housing	tunnel frame	cable 0,1 m	cable 0,5 m	AMP Faston connector	AMP SuperSeal conn.	right	left	universal	dedicated	carton box
<b>0223.45900</b>	034	✓			✓		✓	✓	✓										✓	✓	✓		1		
<b>0223.45910</b>	034	✓			✓		✓	✓	✓										✓	✓	✓	A	1		
0223.45911	034	✓			✓		✓	✓	✓										✓	✓	✓	A	1		
<b>0223.03412</b>	034	✓			✓		✓	✓	✓										✓	✓	✓		1		
0223.03413	034	✓			✓		✓	✓	✓										✓	✓	✓	A	1		
RE.12433	034.1		✓		✓		✓	✓	✓										✓	✓	✓	B	1		
<b>RE.12434</b>	034.1		✓		✓		✓	✓	✓										✓	✓	✓	B	1		