



**TECHNICAL DATA / FEATURES**

- dimensions:  $\phi 161 \times 112$ ,  $\phi 161 \times 115$ ,  $\phi 150 / 142 \times 77$
- light functions: passing, driving, position
- function markings: HC/R, A
- traffic: right-hand
- reference mark: 12.5/10
- source of light: H4, R2, W5W
- maximum power: 75/70W, 55/50W, 5W
- nominal voltage: 12V-24V DC
- optics: FF
- IP rating: IP55, IP54
- housing's material: plastic, metal
- lens' material: glass
- built-in connectors: -
- other (optional): metal housing



**ADDITIONAL INFORMATION**

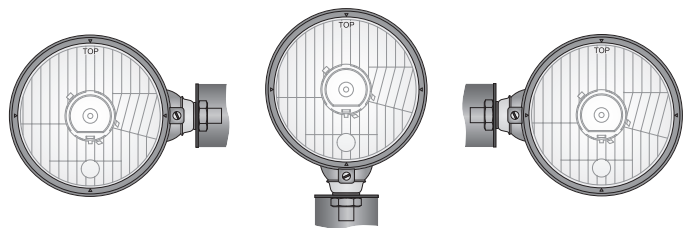
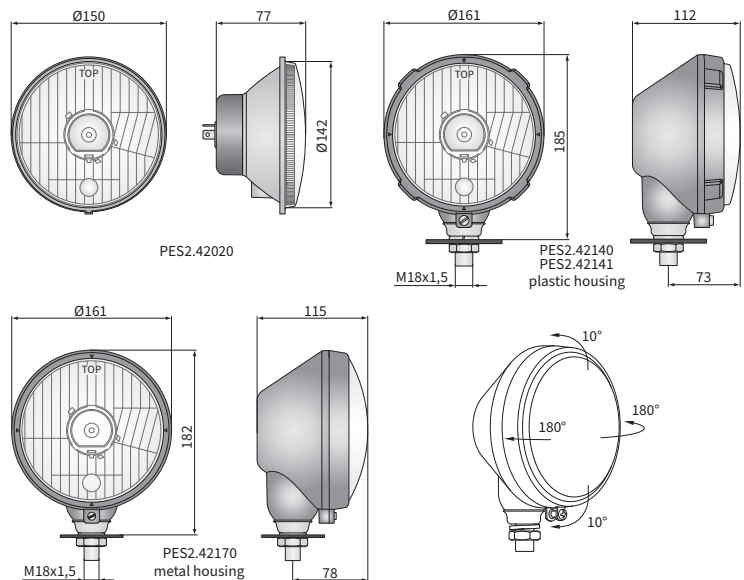
Possible installation as: left-side, right-side or in vertical position using 18mm, steel, zinc plated bushing (supplied). The wiring runs through the length of the mounting bolt.  
 Approved to be used with H4 and R2 type bulbs.

- Useful parts while installing:
- main bulb gasket - cat. No. A.05820
  - hermetic main bulb holder - cat. No. A.26925
  - main bulb mounting block - cat. No. A.07128

Dedicated application:

- A - tractors:
  - Ursus: C-300, C-4000
  - Zetor: 2011, 3011, 3511, 4011, 6711
  - Pronar Zubron 2032A
- A - electric vehicle Melex 252

**DIMENSIONS**



Cat. number	Homologation code	Light functions			Accessories			Housing material		Mounting method		Application		
		passing	driving	position	bulb R2 12V	bulb R2 24V	bulb W5W	bulb gasket	plastic	metal	side - right	side - left	installed vertically up	dedicated
<b>PES2.42121</b>	050	✓	✓	✓				✓			✓			A
<b>PES2.42101</b>	050	✓	✓	✓				✓				✓		A
<b>PES2.42141</b>	050	✓	✓	✓				✓				✓		A
<b>PES2.42140</b>	050	✓	✓	✓	✓		✓	✓				✓		A
PES2.42142	050	✓	✓	✓			✓	✓				✓		
<b>PES2.42160</b>	050	✓	✓	✓				✓		✓				A
<b>PES2.42150</b>	050	✓	✓	✓				✓			✓			A
<b>PES2.42170</b>	050	✓	✓	✓				✓				✓		A
<b>PES2.42020</b>	050	✓	✓	✓			✓							